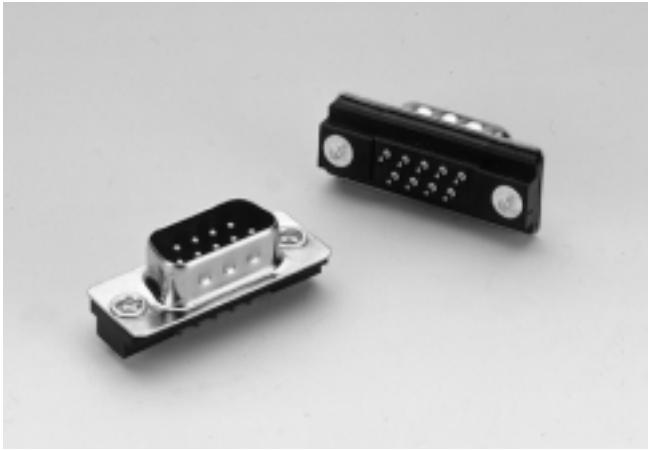


SPECIAL D-SUB STRAIGHT P.C.B. MOUNT

(MALE TYPE H:4.6mm)

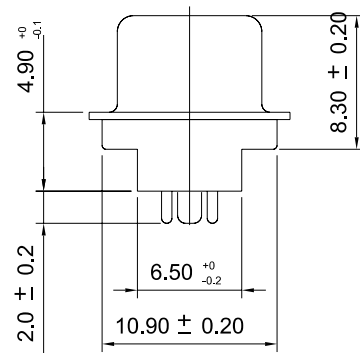
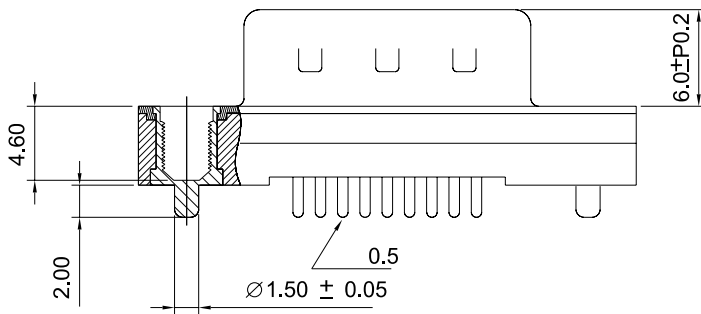
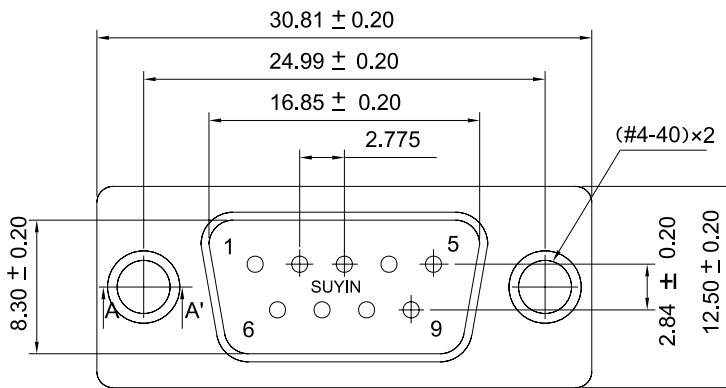


070330MS Series

Mates with SUYIN 070700F, 070900F, 070200F Series

Specifications:

- 9 Circuits
- Insulator Material : Black High Temp. Plastic
- Operating Temp. Range : -40°C to +105°C
- Terminal Material : Brass (Machine Pin)
- Plating : Contact-Gold Plated
: Metal shell-Nickel Plated
- Max. Current Rating : 2.5A
- Voltage Rating : 250V AC
- Dielectric Strength : 500V (Min. 60 Seconds)



Order Information

070330MS009□□00ZU

1 2 3 4 5

1. 'S' : Straight Dip Type
 2. No. of Pins
 3. Plating
 4. Color 'Z' : Black
 5. Package
'U' : Tube Package Without Cap
- Reference Page 11

Recommended P.C.B Layout

